

NS21- 4MH

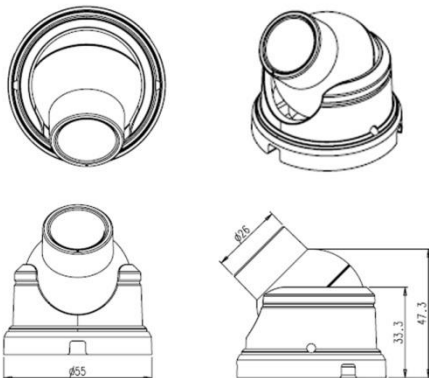


FEATURES

- Full HD Mini Golf ball IP Camera
- 1/3" Progressive scan CMOS Sensor
- Dual-Codec (H.264/MJPEG)
- Progressive scan megapixel (2M CMOS)
- Multi profile streaming (5 different streams per Resolution, Frame, Rate, Codec)
- Digital PTZ, video crop
- Two-way audio communication
- Dark Hunter
- Compact design & Easy installation
- IP66 (Camera portion only)

CNB NS21- 4MH is a Dual-Codec (H.264/MJPEG) 2 megapixel IP camera with vandal proof housing for indoor and outdoor applications. Multiple simultaneous video streams of differentiated resolutions and frame rates will ensure highest quality service while enabling simultaneous connections through lower speed networks. Built-in PoE and analog video output will add convenience in the installation while saving the cost. Digital PTZ will minimize the needs of expensive mechanical PTZ device in many applications.

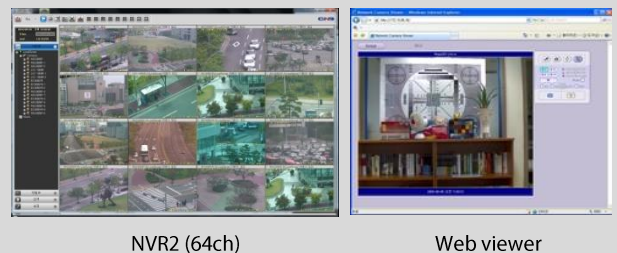
DIMENSIONS



Dark Hunter



Client Software



NS2I-4MH

| Camera | |
|------------------------------|---|
| Image sensor | Progressive scan 1/3 inch CMOS 2M pixels |
| Full resolution | 1,920 x 1,080 pixels (Full HD) |
| Sync System | Internal |
| Lens | Optional 2.9, 3.6, 6mm Fixed |
| Day & Night | AUTO, DAY, NIGHT |
| Sensitivity | Dark Hunter Max - 0.005 Lux |
| Back Light Compensation | On/Off |
| White Balance | ATW(2,000K ~ 10,000K) / MANUAL / PUSH |
| Exposure | ESC |
| WDR | ON/ OFF |
| 3D-DNR | DAY : 0~20, NIGHT : 0~20 |
| Dark Hunter | AUTO ON (Max x32) / OFF |
| Privacy Mask | ON / OFF (1 Programmable Zone) |
| Motion Detection | ON / OFF (3 Programmable Zone) |
| Digital Zoom | X1 ~ X12 |
| Mirror | H/V/ Rotate |
| DEFOG | ON / OFF |
| OSD / Language | BUILT IN Internally (English...) |
| Video | |
| Compression method | Simultaneous Dual Codec (H.264 / MJPEG) |
| Resolution | 1,920 x 1,080@30fps |
| Multi-Profile Streaming | - 5 simultaneous video profiles - Select the codec type, resolution and frame rates for each profile. |
| Intelligent Bit-Rate Control | Hybrid Bit Rate control (VBR+CBR) |
| PTZ | Digital PTZ & Video crop |
| Image Setting | Text overlay, Privacy mask, De-interlace filter |
| Motion detection | 3 regions |
| Audio | |
| Mono Upstream | 32Kbps G.726 ADPCM, 64Kbps 16bit μ -law PCM ~ MIC / Line-in |
| Mono Downstream | 64Kbps 16bit μ -law PCM ~ Line-out |
| Network | |
| Network Protocol | - IPv4, TCP, UDP, IGMP, ICMP, ARP, RARP, PPPoE, RTCP, RTP, RTSP, SDP, HTTP, HTTPS, SMTP, FTP, DHCP, UPnP, NTP, DNS, DynDNS |
| Dynamic IP | Supported |
| Security | - User ID & Password protection, IP address filtering - Digest Authentication, User Access Log |
| Streaming method | - RTSP streaming with proprietary format for control informations - Standard RTSP streaming - HTTP streaming - Onvif Profile-S |

| External Terminals | |
|--|---|
| LAN | 10/100BaseT LAN (auto MDIX) |
| Alarm input / output | Alarm I/O (1 Sensor input & 1 Relay output) |
| Factory Reset | Supported |
| Other | MIC, Line in / Line out / DC 12V in |
| Installation | |
| Standard PoE | IEEE802.3af Supported |
| System Integration | |
| Intelligent Video | Motion Detection |
| Alarm Triggers | Motion Detection + Sensor Input + Audio Detection |
| Alarm Events | Video file upload(FTP), Still Image(Email), Relay output |
| Alarm Buffer (Audio/Video) | configurable Pre-alarm (5~15 sec) & Post-alarm (10~60 sec) |
| Client Software | |
| NVR2 | 64ch (free of charge) |
| Smart App. | Android, iOS (free of charge) |
| Operating Environment, Power, Dimensions | |
| Operating Temperature | -10 °C ~ 50 °C |
| Operating Humidity | 8 ~ 80% RH |
| Power | DC 12V, 0.5A |
| Dimensions (W x H x D) | Camera : \varnothing 54.5mm x 48mm Encoder Box : 45.6mm x 25mm x 114mm |
| Weight | Camera : 125g Encoder Box: 115g |
| Casing | AL, PC, IP66 (Camera portion only) |
| Approvals | FCC, CE, KC |
| Package information | IP camera, CD (User's guide, Software...) |
| Optional Items | |
| Local storage | Micro SD card |
| Adapter | DC 12V, 1.5A |